



# Greenhouse No 5

3 x 4.25 m / 12.75 m<sup>2</sup>

## Thermowood (Thermo-pine)

Thermowood is a wood material produced by using natural methods, heat and steam. Thermal modification improves the wood's technical properties and Thermowood is non-toxic, dimensionally stable, resistant to decay and resin free. It can be used in any climate.

### Thermowood properties:

- **Dimensional stability**
- **Reduced moisture content**
- **Improved durability against decay**
- **Reduced thermal conductivity**
- **Resin removed**
- **Consistent colour through the wood**
- **Non toxic material**

Thermowood of our choice is thermo treated pine. All constructions are made of very durable and robust 92 x 42 mm material.

## Glass

All elements are glazed in 4 mm Tempered Safety Glass to European Standard EN 12150.

## Fixings

Fixings are a combination of stainless steel and zinc coated steel, both being suitable for use with Thermowood due to their resistance to corrosion and extreme weather conditions.

## Extras included

Bayliss triple spring automated roof window openers and door locks.

## Warranty

Warranty for wooden construction is 10 years and 2 years for extras.



## Dimensions

**Width (A) – 3000 mm**

**Length (B) – 4250 mm**

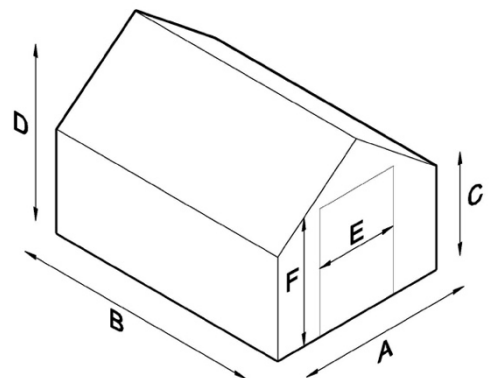
**Eaves height (C) – 1700 mm**

**Ridge height (D) – 2900 mm**

**Door width (E) – 1400 mm**

**Door height (F) – 2100 mm**

**Stone wall height – 600 mm**



**Roof pitch – 36°**

**Snowload – 235 kg/m<sup>2</sup>**

**Windload – 41 kg/m<sup>2</sup>**